

## Pumps, Cryogenic – CV40

Spec Sheet

The **CryoVation CV40 Cryogenic Pump** is designed with main components that are proven to provide maximum performance and long service life with minimum maintenance and easy service.

### Features & Benefits:

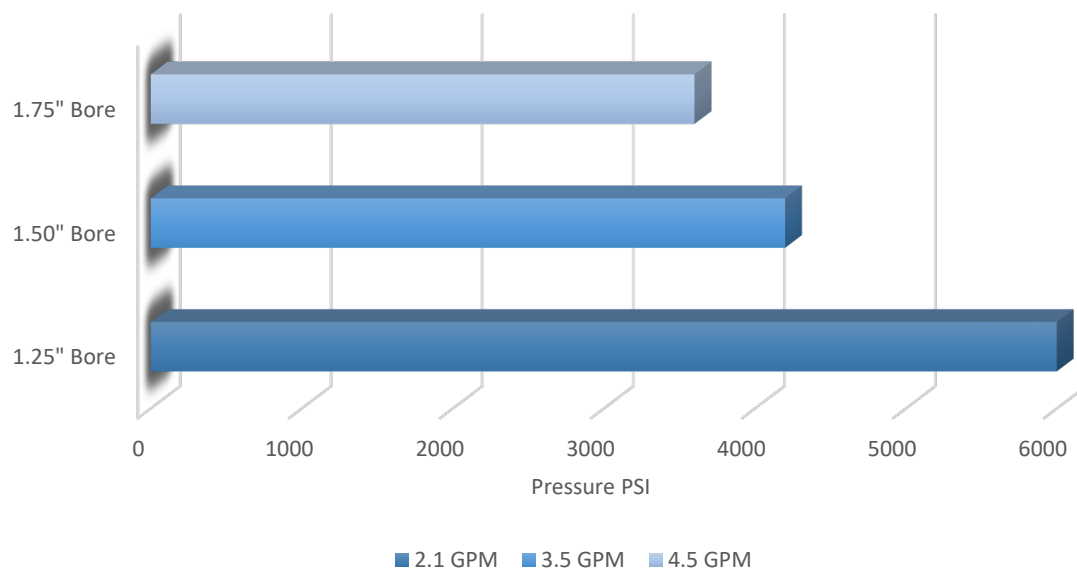
- The motor is moved away from the product to prevent any concern of fire
- Heavier, moisture-sealed drive-end bearing
- All bearings are retained in split/bolted housing for easy replacement
- Replaceable crosshead wear band eliminates excessive wear and frequent replacement of crosshead piston.
- Longer connecting rod for reduced crosshead loading
- Self-adjusting, spring-energized pushrod shaft seal contained in simple cartridge housing for easy replacement through hand-access opening
- Superinsulated vacuum sump
- Vertical pump design eliminates gravitational loading on the piston, which extends seal ring life



### Applications:

- Heavy duty cylinder filling
- Boosting of storage cylinders in unattended automated systems (SureGas)
- Large & high-volume fill plants

### Flow & PSI Graph



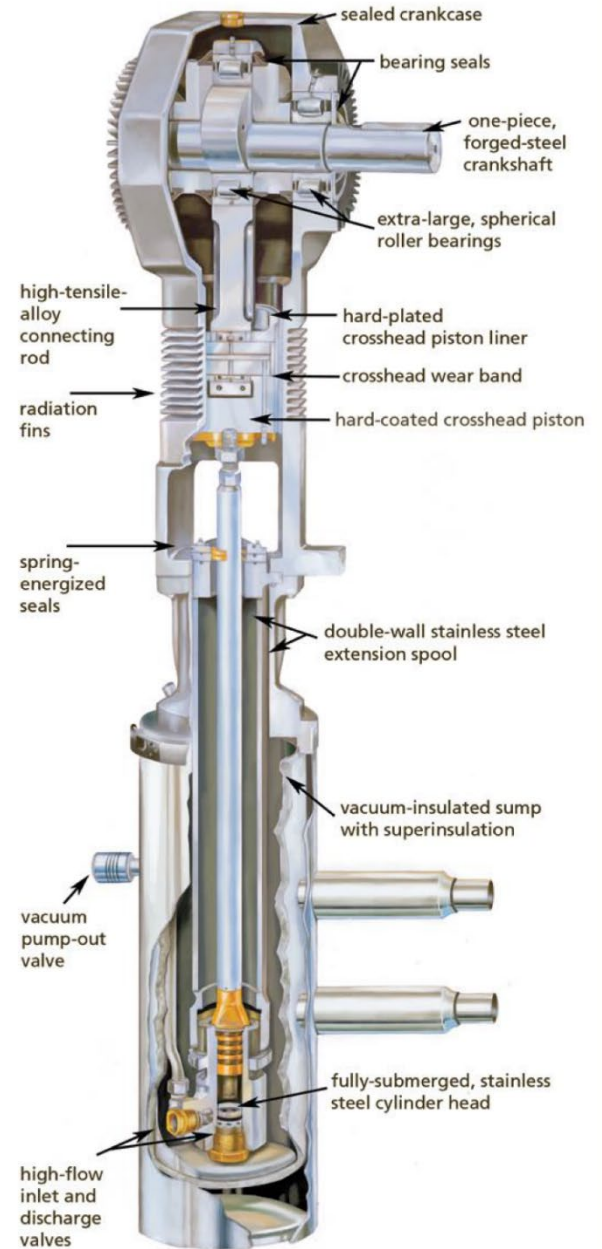
# Pumps, Cryogenic – CV40

**Spec Sheet**

**Technical Specifications:**

**Fluid:** LO2, LN2, LAr  
**Discharge PSI:** up to 6,000 PSI  
**Pump Speed:** Low RPM  
**Motor:** 20 HP TEFC  
**Pump Style:** Reciprocating  
**Voltage:** 240/480 V, 3-phase, 60 Hz  
**Weight:** 900 Lbs.

<b>Bore:</b>	1.25"	1.5"	1.75"
<b>Stroke:</b>	1.5"	1.5"	1.5"
<b>Max Inlet:</b>	300	300	300 psi
<b>Max Flow:</b>	2.1	3.1	4.2 gpm
<b>Max Discharge:</b>	6000	6000	4500 psi
<b>Min NPSP:</b>	2	2	2 psi



**Try our SuperPro Pump Protection Package:**

- Cavitation
- Seal Leak
- Liquid Saver
- High Pressure Dump